

**Need More
Space?
Keep A Low
Profile**



**Enhanced
Knowledge**

**Comprehensive
Treatment**

**Business
Excellence**

Introducing The **NEW Low Profile Abutment**

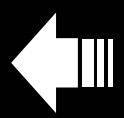
The Solution Designed To Provide Clinicians With More Space:

- For Screw-Retained Restorations In Areas Of Limited Interarch Distance
- A Wide Array Of Versatile Restorative Options
- For Immediate Or Traditional Loading Procedures



Providing Clinicians One Solution At A Time With Low Profile Abutments

- One Restorative Platform For Ease Of Use
- Contoured Emergence Profile Provides Easier Placement In Subcrestal And Flapless Surgery
- Low Restorative Height For Functional Aesthetic Restorations In Limited Interarch Space



**Scan With Your
Smartphone!**
In order to scan QR codes,
your mobile device
must have a QR code
reader installed.

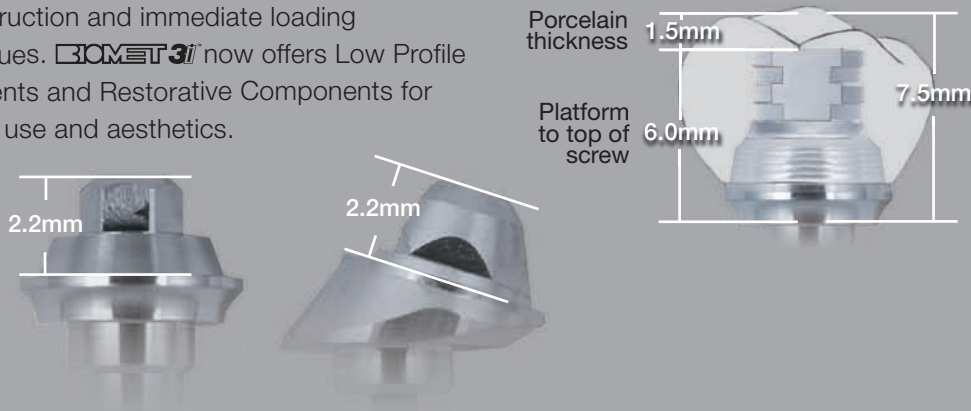
BIOMET 3i™
PROVIDING SOLUTIONS - ONE PATIENT AT A TIME™

Height Matters

The Low Profile Abutment for outstanding screw-retained restorations.

Screw-retained restorations have a long history of documentation in implant dentistry. These abutments provide clearer access to, and retrievability of, single and multiple-unit implant restorations. In addition, certain patient situations may require the benefits of screw-retained restorations such as full mouth reconstruction and immediate loading techniques. **BIOMET 3i** now offers Low Profile Abutments and Restorative Components for ease of use and aesthetics.

At 2.2mm tall, the Low Profile Abutment has one of the lowest restorative profiles on the market today. **This allows for functional aesthetic restorations in limited interarch spaces of 7.5mm, even when angle correction is necessary.**

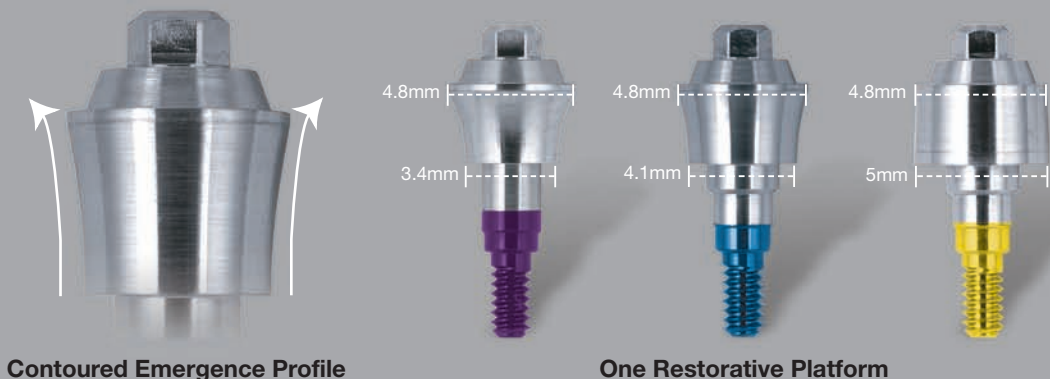


Easy Placement

Ease of use with contoured emergence profiles.

The Low Profile Abutment's new contoured emergence profile provides easier placement in subcrestal and flapless surgery. The emergence starts off straight, then gently curves out to the restorative platform. This emergence mitigates the need for bone profiling prior to seating the abutments.

Because the Low Profile Abutment has one restorative platform, there is no need to inventory multiple sizes of restorative components. **Whether you are restoring a 3.4mm or a 5.0mm platform implant, the restorative components have the same seating diameter of 4.8mm.**



Easy Delivery

Both one and two piece designs for the Low Profile Abutment have a disposable delivery tool for ease of use and sterile placement from the package to the patient.



Multiple Restorative Options

The Low Profile Abutment offers a wide array of versatile restorative options. There are a variety of provisional options for long term healing or immediate loading procedures including **BIOMET 3i** QuickBridge® Provisional Components, Titanium Cylinders with gold-colored TiN coating and PreFormance® (PEEK) Temporary Cylinders.

Options for the definitive restoration range from castable Gold Cylinders to *BellaTek*™ Bars (formerly known as CAM StructSURE® Precision Milled Bars). All of these options are designed to provide restorative strength and aesthetic results.



BellaTek™ Bars And Frameworks



Low Profile
QuickBridge® Provisional Components



Low Profile PreFormance® And
Titanium Temporary Cylinders

With its low height, contoured emergence profile and multiple restorative options, the new BIOMET 3i Low Profile Abutment and Restorative Component Product Offering may be an ideal option for your next screw-retained case.

Ordering Information

Low Profile Abutments



3.4mm Seating Surface					
Collar Height	One Piece (Non-Hexed)	Two Piece (Hexed)	17° (Hexed)		30° (Hexed)
1.0mm	ILPC341U LPC341U	ILPC341 LPC341	-	-	-
2.0mm	ILPC342U LPC342U	ILPC342 LPC342	ILPAC3217 LPAC3217	-	-
3.0mm	ILPC343U LPC343U	ILPC343 LPC343	-	-	ILPAC3330 LPAC3330
4.0mm	ILPC344U LPC344U	ILPC344 LPC344	ILPAC3417 LPAC3417	-	-
5.0mm	-	-	-	-	ILPAC3530 LPAC3530

4.1mm Seating Surface					
Collar Height	One Piece (Non-Hexed)	Two Piece (Hexed)	17° (Hexed)		30° (Hexed)
1.0mm	ILPC441U LPC441U	ILPC441 LPC441	-	-	-
2.0mm	ILPC442U LPC442U	ILPC442 LPC442	ILPAC4217 LPAC4217	-	-
3.0mm	ILPC443U LPC443U	ILPC443 LPC443	-	-	ILPAC4330 LPAC4330
4.0mm	ILPC444U LPC444U	ILPC444 LPC444	ILPAC4417 LPAC4417	-	-
5.0mm	-	-	-	-	ILPAC4530 LPAC4530

5.0mm Seating Surface					
Collar Height	One Piece (Non-Hexed)	Two Piece (Hexed)	17° (Hexed)		30° (Hexed)
1.0mm	ILPC541U LPC541U	ILPC541 LPC541	-	-	-
2.0mm	ILPC542U LPC542U	ILPC542 LPC542	ILPAC5217 LPAC5217	-	-
3.0mm	ILPC543U LPC543U	ILPC543 LPC543	-	-	ILPAC5330 LPAC5330
4.0mm	ILPC544U LPC544U	ILPC544 LPC544	ILPAC5417 LPAC5417	-	-
5.0mm	-	-	-	-	ILPAC5530 LPAC5530

Abutment Compatibility	Component	Hexed Abutment	Non-Hexed Abutment
	Hexed	Yes	No
	Non-Hexed	Yes	Yes

Low Profile Screws

Description	Item No.
Gold-Tite® Retaining Screw	LPCGSH
Titanium Retaining Screw	LPCTSH
Waxing Screw	LPCWS

Low Profile Laboratory Tools

Description	Item No.
Lapping Tool	LPCAMI
Polishing Protector	LPCPP

BIOMET 3i
 4555 Riverside Drive
 Palm Beach Gardens, FL 33410
 1-800-342-5454
 Outside The U.S.: +1-561-776-6700
 Fax: +1-561-776-1272
 www.biomet3i.com

EC REP BIOMET 3i
 Europe, Middle East & Africa
 WTC Almeda Park, Ed. 1, Planta 1ª
 Pl. de la Pau, s/n
 08940, Cornellà de Llobregat
 (Barcelona) Spain
 Phone: +34-93-470-55-00
 Fax: +34-93-371-78-49

SUBSIDIARIES

AUSTRALIA
 Phone: +61-2-9855-4444
 Fax: +61-2-9888-9900

AUSTRIA
 Phone: 0800070017
 Fax: 0800070018

BELGIUM
 Phone: 0800 50311
 Fax: 0800 50312

BRAZIL
 Phone: +55-11-3568-1300
 Fax: +55-11-5081-7484

CANADA
 Phone: +514-956-9843
 Fax: +514-956-9844

DENMARK
 Phone: 0045 33 12 70 08
 Fax: 0045 33 12 70 03

FRANCE
 Phone: 01 41 05 43 43
 Fax: 01 41 05 43 40

GERMANY
 Phone: 0800 1016420
 Fax: 0800 3131111

IRELAND
 Phone: 1800 552 752
 Fax: 1800 656 608

JAPAN
 Phone: +81-66868-3012
 Fax: +81-66868-2444

KOREA
 Phone: +82-2-5678-550
 Fax: +82-2-5678-577

MEXICO
 Phone: +52-55-2282-0120
 Fax: +52-55-2282-0120 ext. 20

THE NETHERLANDS
 Phone: 078 62 92 800
 Fax: 078 62 92 801

NEW ZEALAND
 Phone: +64-508-122-221
 Fax: +64-508-133-331

NORDIC REGION HEADQUARTERS
 Phone: +46-40-17-6090
 Fax: +46-40-17-6099

NORWAY
 Phone: 0047 22 20 12 70
 Fax: 0047 22 83 97 40

PORTUGAL
 Phone: +34-902-34-34-31
 Fax: +34-93-445-81-36
 +351-21-000-16-75

SPAIN
 Phone: +34-902-34-34-31
 Fax: +34-93-445-81-36

SWEDEN
 Phone: 0046 (0)20 0125509
 Fax: 0046 (0)20 0125506

SWITZERLAND
 Phone: 0800 246638
 Fax: 0800 246639

U.K.
 Phone: 0800 652 1233
 Fax: 0800 840 6814

DISTRIBUTORS

ARGENTINA
 Dentalmax, SA
 Phone: +541-1482-71001
 Fax: +541-1482-67373

CHILE
 Cybel, SA
 Phone: +56-2-2321883
 Fax: +56-2-2330176

CHINA
 Atek Inc.
 Phone: +86-21-6329-1265
 Fax: +86-21-6329-1620

COLOMBIA
 3i Colombia
 Phone: +571-612-9362
 Fax: +571-620-6412

COSTA RICA
 Implantec S.A.
 Phone: +506-234-9043
 Fax: +506-224-7620

EL SALVADOR
 Dentimer SA de CV
 Phone: +503-263-6350
 Fax: +503-263-6676

GREECE
 Impladent Dental Implants, LLC
 Phone: +30-2310-501-651
 Fax: +30-2310-862-090

ISRAEL
 H.A. Systems
 Phone: +972-3-6138777
 Fax: +972-3-6138778

HONG KONG
 Ostek Inc., Ltd.
 Phone: +852-8121-6601
 Fax: +852-3747-3754

ITALY
 Biomax spa
 Phone: +39-0444-913410
 Fax: +39-0444-913695

MIDDLE EAST
 3i MENA s.a.l.
 Middle East And North Africa
 Phone: +961-1-694000
 Fax: +961-1-694222

PARAGUAY
 Andres H. Arce y Cia SRL
 Phone: +595-21-208185
 Fax: +595-21-496291

POLAND
 Dental Depot Wasio
 Phone: +48 71 335 70 71
 Fax: +48 71 335 70 90

RUSSIA
 Com-Dental
 Phone: +7-495-580-3080
 Fax: +7-495-580-3081

SINGAPORE
 Asia Implant Support & Services
 Phone: +65-6223-2229
 Fax: +65-6220-3538

SOUTH AFRICA
 Selective Aesthetics
 Phone: +27-11-991-7068
 Fax: +27-11-672-1391

TAIWAN
 Kuo Hwa Dental Suppliers Co., Ltd.
 Phone: +886-2-2226-1770
 Fax: +886-2-2226-8747

THAILAND
 3i (Thailand) Co., LTD.
 Phone: +662-252-6685
 Fax: +662-252-6686

TURKEY
 Tamer Med. A.Ş.-Turkey
 Phone: +90-212-465-3352
 Fax: +90-212-465-3502

UKRAINE
 Victoria Premium
 Phone: +38-044-331-10-09
 Fax: +38-044-331-10-70

URUGUAY
 ProSimplant S.R.L.
 Phone: +598-2-4034163
 Fax: +598-2-4034163

VIETNAM
 D.O.E.
 (Dentistry Of Excellence Vietnam)
 Phone: +84 89 25 37 03
 Fax: +84 89 25 37 00

Low Profile Impression Copings And Analog

Description	Item No.
Pick Up Impression Coping (Hexed)	LPCPIC1
Pick Up Impression Coping (Non-Hexed)	LPCPIC2
Twist Lock™ Impression Coping (Hexed)	LPCTIC1
Twist Lock™ Impression Coping (Non-Hexed)	LPCTIC2
QuickBridge® Impression Coping	LPCRIC
Lab Analog	LPCLA

Low Profile Provisional Restoration Components

Description	Item No.
Temporary Cylinder (Hexed)	LPCTC1
Temporary Cylinder (Non-Hexed)	LPCTC2
Healing Cap	LPCHC
PrePerformance® Temporary Cylinder (Hexed)	LPCPTC1
PrePerformance® Temp. Cylinder (Non-Hexed)	LPCPTC2
QuickBridge®	LPCQB
QuickBridge® Replacement Cap	LPCQBACP
Distal Extension	LPCDE

Low Profile Final Restoration Components

Description	Item No.
Gold Cylinder (Hexed)	LPCGC1
Gold Cylinder (Non-Hexed)	LPCGC2
Castable Cylinder (Hexed)	LPCCC1
Castable Cylinder (Non-Hexed)	LPCCC2
Laser Weld Cylinder	LPCTUCA

Large Hex Driver And Driver Tip

Description	Item No.
Large Hexed Driver	PHD02N, PHD03N*
Large Hexed Driver Tip	RASH3N, RASH8N*

*Now narrower to fit with external hexed angled Low Profile Abutments. The new driver and driver tips can be identified by a laser marked dot after the catalog number as pictured below.



Not Available In All Markets, Please Consult Your Local

BIOMET 3i Sales Representative For Availability

GAM StructSURE, Certain, Gold-Tite, PrePerformance and QuickBridge are registered trademarks and BellaTek, Providing Solutions - One Patient At A Time and design and Twist Lock are trademarks of BIOMET 3i LLC. BIOMET is a registered trademark and BIOMET 3i and design are trademarks of BIOMET, Inc. ©2011 BIOMET 3i LLC. All rights reserved.

ART1126

REV B 06/11

Follow us on:

