

***Certain® PREVAIL® And Certain XP Parallel Walled Implant  
Subcrestal Placement Protocol Quick Reference Guide***



**NanoTite™ Certain  
Expanded Platform  
PREVAIL Implant**



**NanoTite Certain  
Straight PREVAIL  
Implant**



**OSSEOTITE XP®  
Certain Implant**



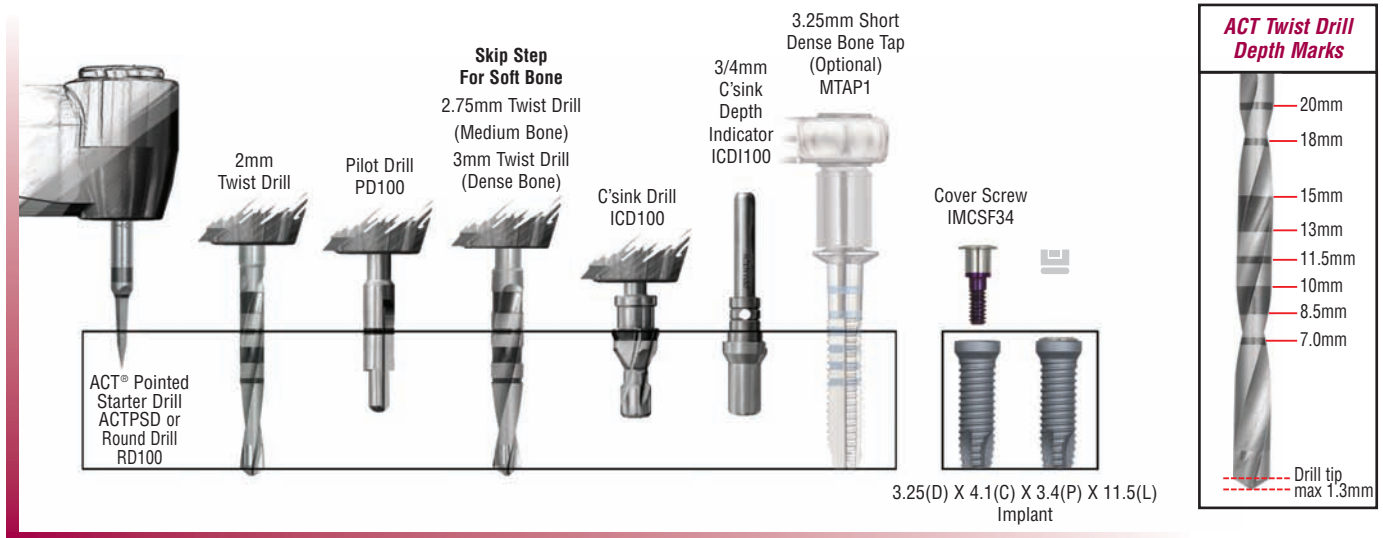
**OSSEOTITE® Certain  
PREVAIL Implant**

# Certain® PREVAIL® And Certain XP Parallel Walled Implant Subcrestal Placement Protocol Quick Reference Guide

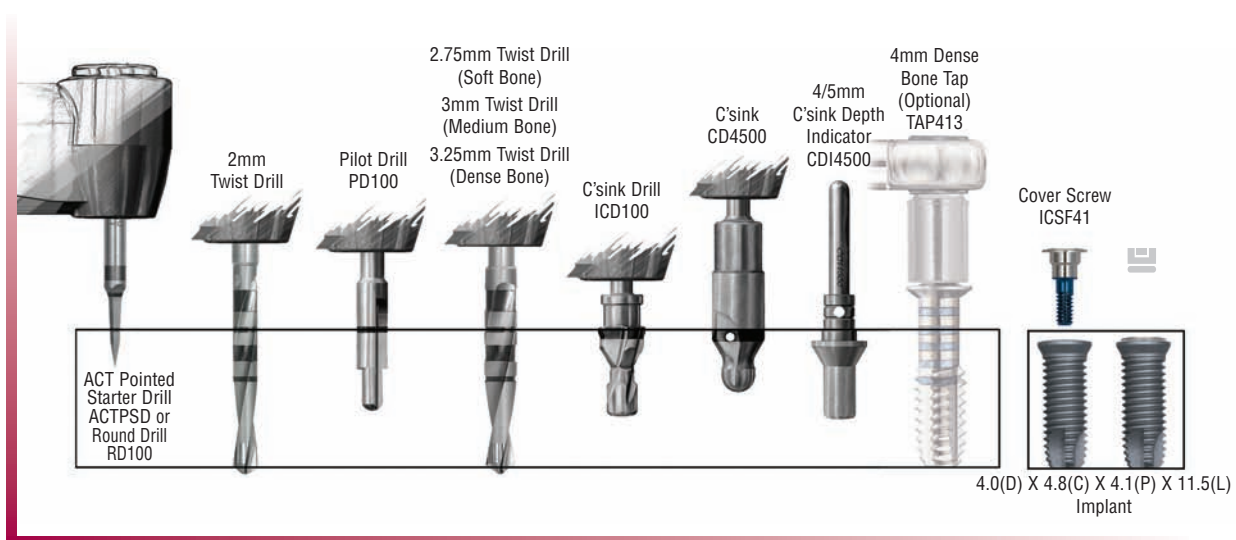
**NOTE:** This brochure is intended to be used as a quick reference guide only. Please refer to the Surgical Manual (CATSM) for detailed surgical placement protocols and other information.

(D) = Diameter (mm)  
 (C) = Collar (mm)  
 (P) = Platform (mm)  
 (L) = Length (mm)

## Certain PREVAIL 3/4/3mm Diameter Implants

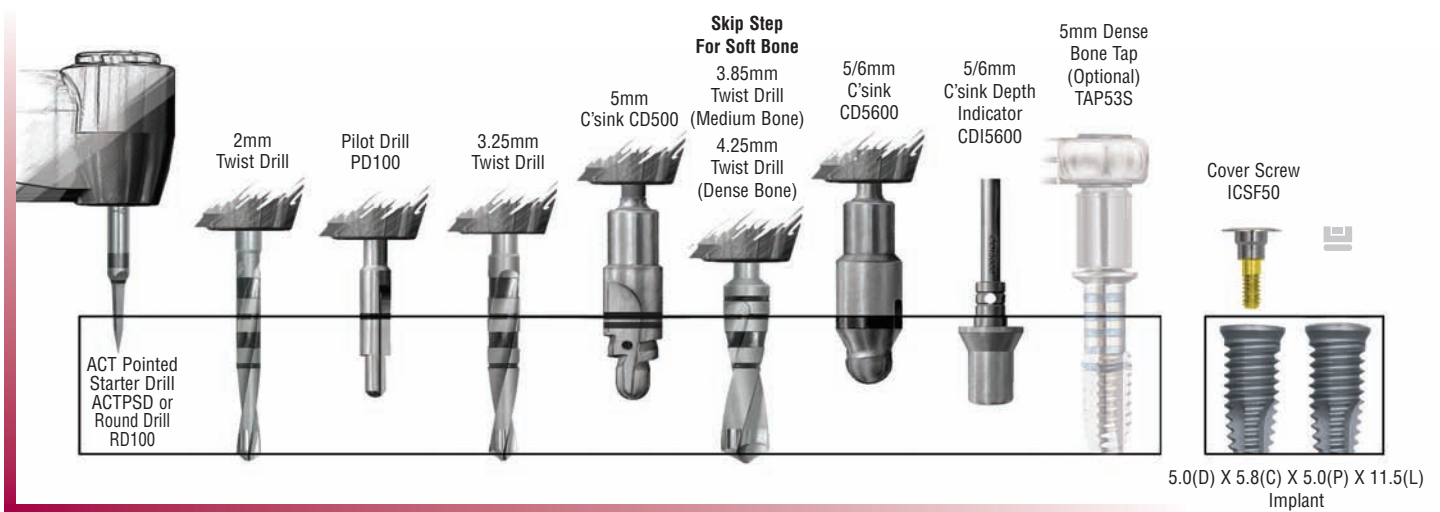


## Certain PREVAIL 4/5/4mm And Certain XP 4/5mm Diameter Implants

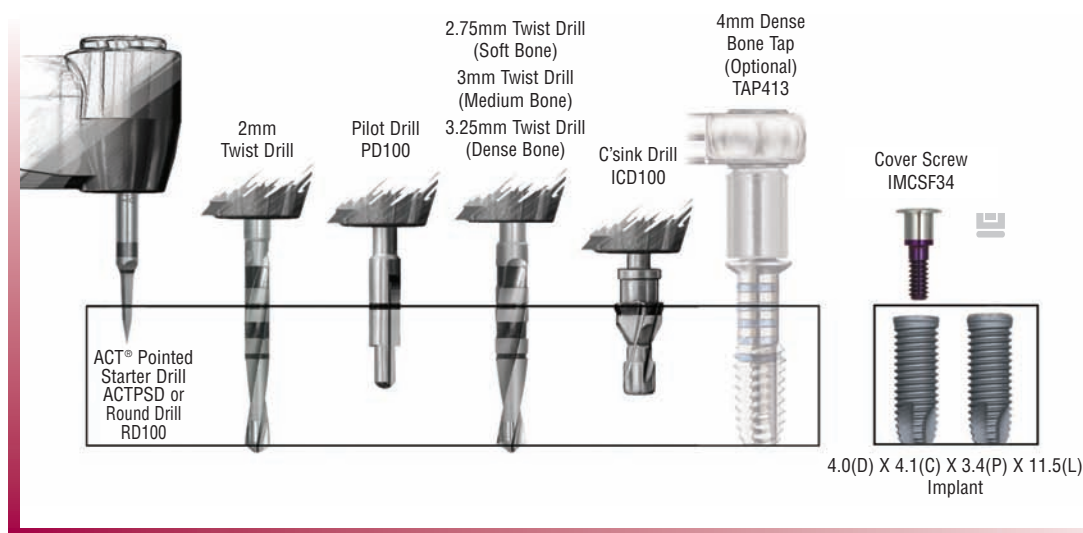


- NOTE:**
- The recommended drill speed for drills 3.85mm diameter or less is 1200–1500rpm
  - The recommended drill speed for drills 4.25mm diameter or greater is 900rpm
  - The recommended implant placement speed is 15–20rpm
  - The implant placement torque may exceed 50Ncm
  - Final Twist Drill selection is based on clinician evaluation of bone quality

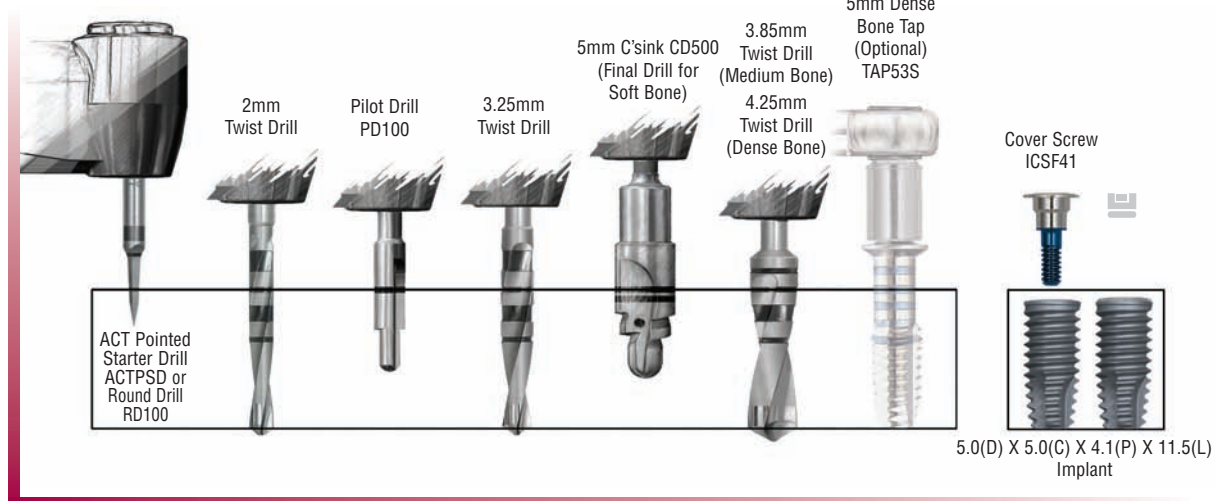
## Certain® PREVAIL® 5/6/5mm And Certain XP 5/6mm Diameter Implants



## Certain PREVAIL 4/3mm Diameter Implants



## Certain PREVAIL 5/4mm Diameter Implants





Global Headquarters  
4555 Riverside Drive  
Palm Beach Gardens, FL 33410  
1-800-342-5454  
Outside The U.S.: +1-561-776-6700  
Fax: +1-561-776-1272  
[www.biomet3i.com](http://www.biomet3i.com)

**Sign Up For BIOMET 3i's Electronic Newsletter "BIOMET 3innovations."  
Simply Go Online To [www.biomet3i.com/signup](http://www.biomet3i.com/signup)**



ART944  
REV D 06/08

ACT, Certain, OSSEOTITE, OSSEOTITE XP and PREVAIL are registered trademarks and NanoTite is a trademark of BIOMET 3i LLC. BIOMET is a registered trademark and BIOMET 3i and design are trademarks of BIOMET, Inc. ©2008 BIOMET 3i LLC. All rights reserved.

#### SUBSIDIARIES

##### AUSTRALIA

Phone: +61-2-9855-4444  
Fax: +61-2-9888-9900

##### AUSTRIA

Phone: +43-(0)6235-200-45  
Fax: +43-(0)6235-200-45-9

##### BELGIUM

Phone: +32-2-5410290  
Fax: +32-2-5410291

##### BRAZIL

Phone: +55-11-5081-4405  
Fax: +55-11-5081-7484

##### CANADA

Phone: +514-956-9843  
Fax: +514-956-9844

##### FRANCE

Phone: +33-1-41054343  
Fax: +33-1-41054340

##### GERMANY

Phone: +49-721-255177-10  
Fax: +49-721-255177-73

##### IRELAND

Phone: +353-1-800-552-752  
Fax: +44-1628-820182

##### MEXICO

Phone: +52-55-5679-1619  
Fax: +52-55-5684-8098

##### THE NETHERLANDS

Phone: +31-(0)78-629-2800  
Fax: +31-(0)78-629-2801

##### NEW ZEALAND

Phone: +64-508-122-221  
Fax: +64-508-133-331

##### NORDIC REGION

Phone: +46-40-17-6090  
Fax: +46-40-17-6099

##### PORTUGAL

Phone: +351-21-000-1647  
Fax: +351-21-000-1675

##### SPAIN

Phone: +34-93-470-59-50  
Fax: +34-93-372-11-25

##### SWITZERLAND

Phone: +41-44-380-46-46  
Fax: +41-44-383-46 55

##### TURKEY

Phone: +90-212-573-6916  
Fax: +90-212-662-7635

##### U.K.

Phone: +44-800-652-1233  
Fax: +44-1628-820182

#### DISTRIBUTORS

##### ARGENTINA

Dentalmax, SA  
Phone: +541-1482-71001  
Fax: +541-1482-67373

##### CHILE

Cybel, SA  
Phone: +56-2-2321883  
Fax: +56-2-2330176

##### CHINA

Atek Inc.  
Phone: +86-21-6329-1265  
Fax: +86-21-6329-1620

##### COLOMBIA

3i Colombia  
Phone: +571-612-9362  
Fax: +571-620-6412

##### COSTA RICA

Implantec S.A.  
Phone: +506-234-9043  
Fax: +506-224-7620

##### EL SALVADOR

Dentimerc SA de CV  
Phone: +503-263-6350  
Fax: +503-263-6676

##### GREECE

Impladent Dental Implants, LLC  
Phone: +30-2310-501-651  
Fax: +30-2310-522-417

##### ISRAEL

H.A. Systems  
Phone: +972-3-6138777  
Fax: +972-3-6138778

##### HONG KONG

Ositek Inc., Ltd.  
Phone: +852-8121-6601  
Fax: +852-3747-3754

##### ITALY

Biomax, srL  
Phone: +39-0444-913410  
Fax: +39-0444-913695

##### JAPAN

Implant Innovations Japan  
Phone: +81-66-868-3012  
Fax: +81-66-868-2444

##### KOREA

Jungsan 3i Corp.  
Phone: +82-2-516-1808  
Fax: +82-2-514-9434

##### LEBANON

3i MENA s.a.l.  
Middle East And North Africa  
Phone: +961-1-694000  
Fax: +961-1-694222

##### PARAGUAY

Andres H. Arce y Cia SRL  
Phone: +595-21-208185  
Fax: +595-21-496291

##### POLAND

Dental Depot  
Phone: +48-71-341-3091  
Fax: +48-71-343-6560

##### RUSSIA

Com-Dental  
Phone: +7-495-797-6686  
Fax: +7-499-242-9567

##### SINGAPORE

Asia Implant Support & Services  
Phone: +65-6223-2229  
Fax: +65-6220-3538

##### SOUTH AFRICA

Selective Surgical CC  
Phone: +27-11-991-7007  
Fax: +27-11-672-1391

##### TAIWAN

Kuo Hwa Dental Suppliers Co., Ltd.  
Phone: +886-2-2226-1770  
Fax: +886-2-2226-8747

##### THAILAND

3i (Thailand) Co., LTD.  
Phone: +662-252-6685  
Fax: +662-252-6686

##### UKRAINE

Com-Dental  
Phone: +38-067-7007667  
Fax: +38-044-5017117

##### URUGUAY

Pro3implant S.R.L.  
Phone: +598-2-4034163  
Fax: +598-2-4034163